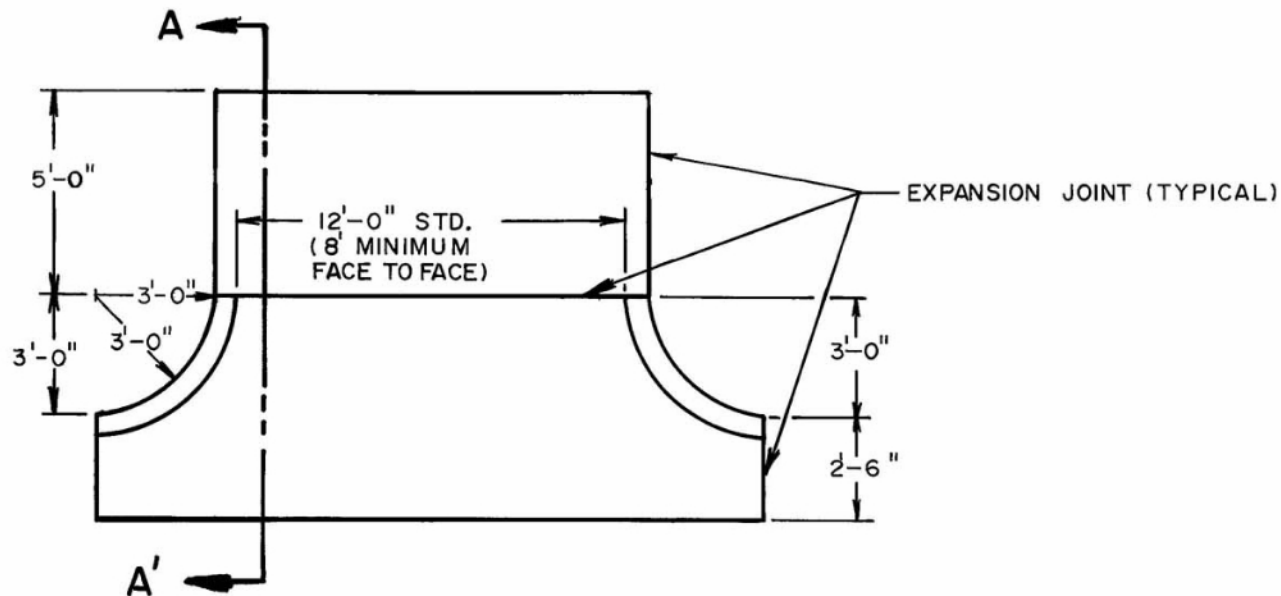
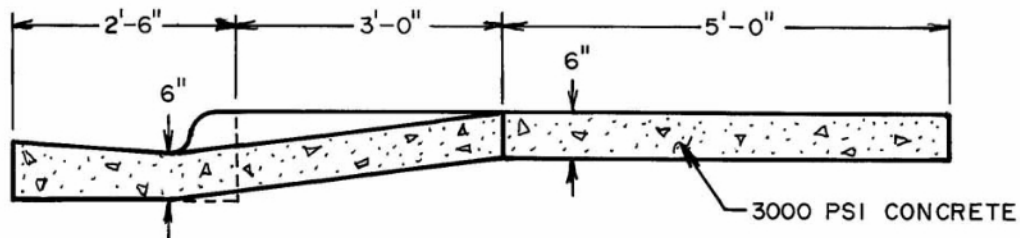




ENGINEERING DEPARTMENT
STANDARD DETAILS



TYPICAL DRIVEWAY APRON



DRIVEWAY SECTION A - A'

NO SCALE

TITLE
 DRIVEWAY RAMP -
 CURB & GUTTER
 SECTION (ALT)

REVISIONS

NO	DATE	BY

DET.NO.

D-7