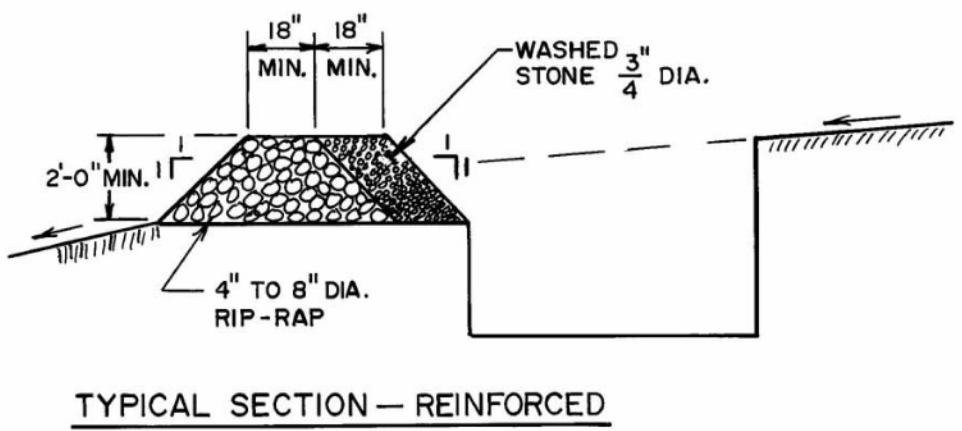
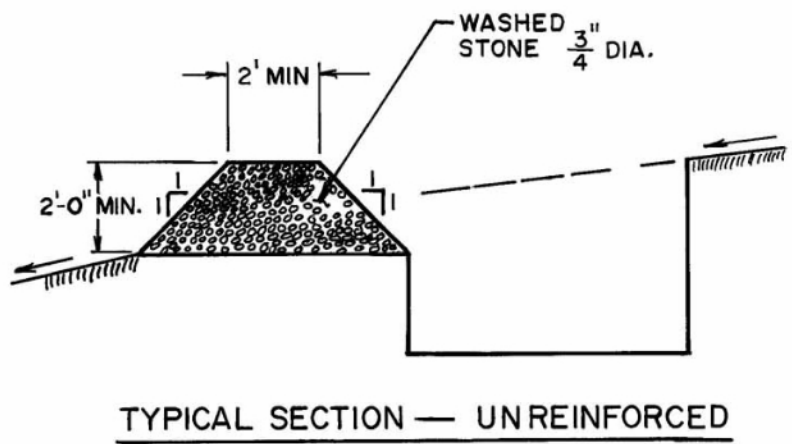
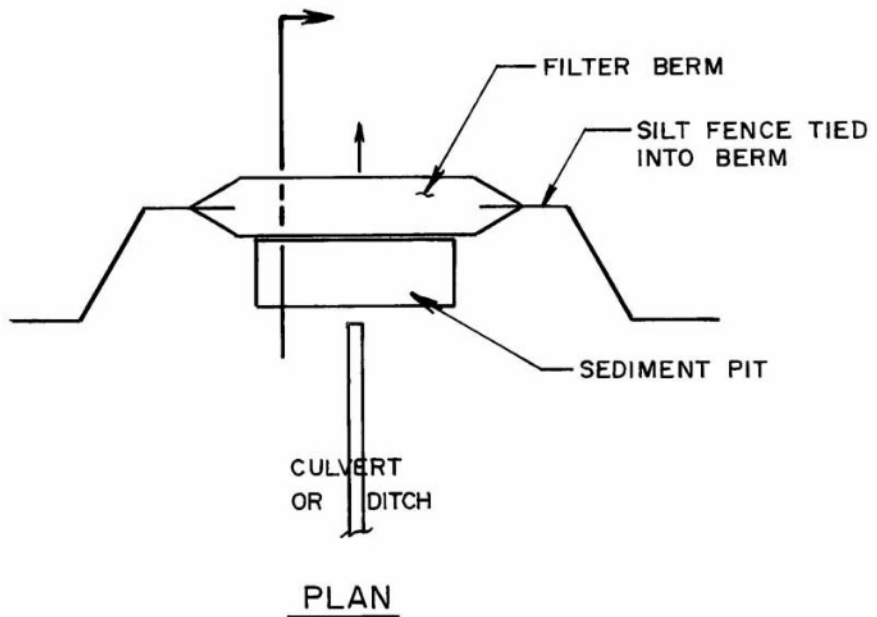




ENGINEERING DEPARTMENT
STANDARD DETAILS



NO SCALE

TITLE
EROSION CONTROL-
SEDIMENT TRAP

REVISIONS		
NO	DATE	BY

DET.NO.
E-3